



AE02

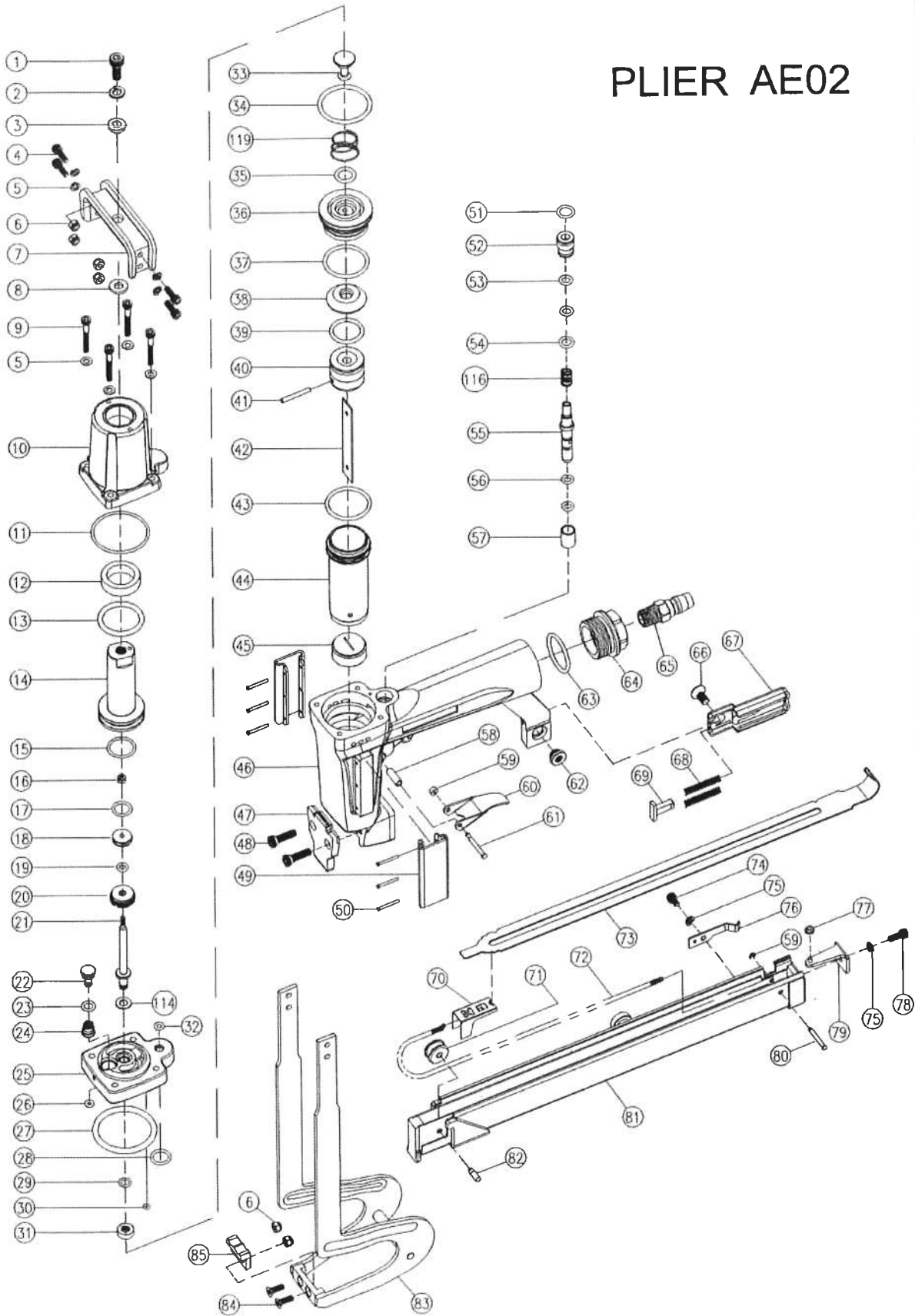
Manual and parts list

SIFCO[®]
fastening solutions

December 2013

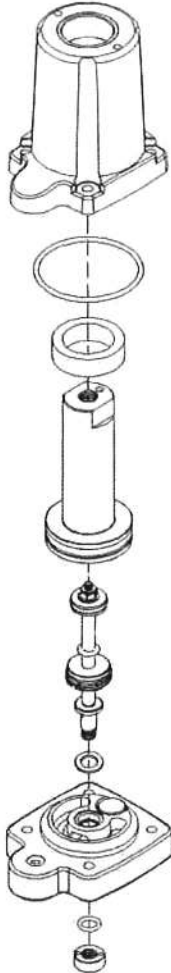
PLIER AE02 - Manual and parts list

PLIER AE02

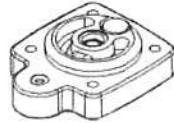


PLIER AE02 - Manual and parts list

NO.210 Diaphragm &
Jaw Cylinder
Assy
10,11,12,29,31,114,202
203,204



NO.204 Diaphragm Assy
22,23,24,25,26,27,28,30,32



NO.205 Valve Assy
33,35,36,38



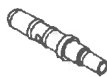
NO.206 Piston Assy
39,40,41



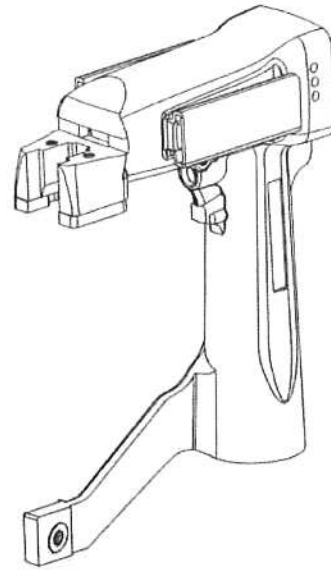
NO.207 Valve Liner Assy
51,52,53,54



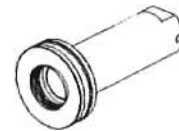
NO.208 Cylinder Top
Valve Assy
55,56



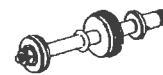
NO.200 Tool Body Assy
46,49,50,57,58,62



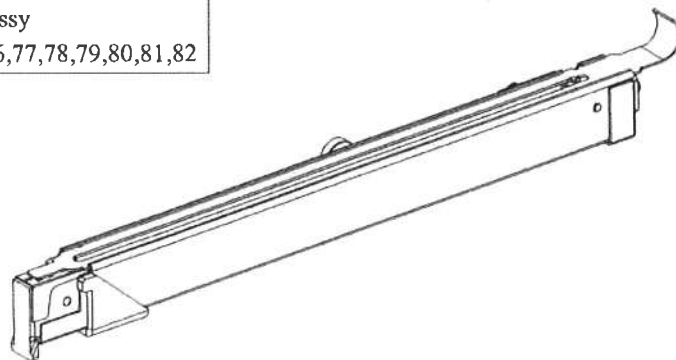
NO.202 Adjustment Stroke Assy
14,15



NO.203 Reversal Cylinder
Shaft Assy
16,17,18,19,20,21



NO.201 Magazine Assy
59,70,71,72,73,74,75,76,77,78,79,80,81,82



PLIER AE02 - Manual and parts list

ITEM	DESCRIPTION	TOOL NO.	PART NO.	Q'TY	ITEM	DESCRIPTION	TOOL NO.	PART NO.	Q'TY
1	Bridge Screw		AE01001	1	36	Valve		AE01036	1
2	Bridge Screw Washer		AE01002	1	37	Valve Lower O-Ring		AE01037	1
3	Bush		AE01003	1	38	Plastic Cover		AE01038	1
4	Jaw Screw		AE01004	4	39	Piston O-Ring		AE01039	1
5	Washer		AE01005	8	40	Piston			1
6	Jaw Selflocking Nut		AE01006	6			AE02	AE01040	
7	Bridge		AE01007	1					
8	Washer		AE01008	4					
9	Head Screw		AE01009	4					
10	Jaw Cylinder		AE01010	1	41	Piston Pin		AE01041	1
11	Jaw Cylinder O-Ring		AE01011	1	42	Driver Blade			1
12	Sleeve		AE01012	1			AE02	AE02042	
13	Jaw Piston O-Ring		AE01013	1					
14	Washer Adjustment Stroke		AE01014	1					
15	Piston Gasket		AE01015	1					
16	Shaft Selflocking Nut		AE01016	1	43	Cylinder O-Ring		AE01043	1
17	Reversal Piston O-Ring		AE01017	1	44	Cylinder		AE01044	1
18	Reversal Cylinder Piston		AE01018	1	45	Shock Absorber		AE01045	1
19	Shaft Top O-Ring		AE01019	1	46	Plier Body		AE01046	1
20	Reversal Cylinder Ring Nut		AE01020	1	47	Nose Plate			1
21	Reversal Cylinder Shaft		AE01021	1			AE02	AE02047	
22	Diaphragm Valve		AE01022	1					
23	Diaphragm Valve Top O-Ring		AE01023	1					
24	Spring		AE01024	1					
25	Diaphragm		AE01025	1	48	Nose Plate Screw		AE01048	2
26	Diaphragm Valve Lower O-Ring		AE01026	1	49	Body Side Plate		AE01049	2
27	O-Ring		AE01027	1	50	Body Side Plate Pin		AE01050	6
28	Diaphragm Hole Lower O-Ring		AE01028	1	51	Valve Liner Top O-Ring		AE01051	1
29	Shaft Lower O-Ring		AE01029	1	52	Valve Liner		AE01052	1
30	Diaphragm Int. O-Ring		AE01030	1	53	Sealing O-Ring		AE01053	2
31	Ring Nut Shaft		AE01031	1	54	Valve Liner Lower O-Ring		AE01054	1
32	Diaphragm Hole Top O-Ring		AE01032	1	55	Cylinder Top Valve		AE01055	1
33	Valve Top		AE01033	1	56	Valve Top O-Ring		AE01056	2
34	Valve Top O-Ring		AE01034	1	57	Sleeve		AE01057	1
35	Valve Top O-Ring		AE01035	1	58	Body Pin		AE01058	1

PLIER AE02 - Manual and parts list

ITEM	DESCRIPTION	TOOL NO.	PART NO.	Q'TY	ITEM	DESCRIPTION	TOOL NO.	PART NO.	Q'TY
59	Stop Ring		AE01059	2	82	Magazine Pin			1
60	Trigger		AE01060	1			AE02	AE02082	
61	Trigger Pin		AE01061	1					
62	Body Screw		AE01062	1					
63	O-Ring		AE01063	1					
64	Inlet Nozzle		AE01064	1	83	Short Jaw		AE01083	1
65	Air Inlet		AE01065	1	84	Riveting Screw		AE01084	2
66	Block Screw		AE01066	1	85	Plier Reveting		AE01085	1
67	Rear Block		AE01067	1	114	Washer		AE01114	1
68	Block Spring		AE01068	2	116	Spring		AE01116	1
69	Spring Block T		AE01069	1	119	Spring		AE01119	1
70	Pusher			1	200	Tool Body Assy.		AE01200	1
		AE02	AE02070						
71	Copper Roller			1	201	Magazine Assy.	AE02	AE02201	1
		AE02	AE01071						
72	Pusher Spring		AE01072	1	202	Adjustment Stroke Assy.		AE01202	1
73	Cover		AE01073	1	203	Reversal Cylinder Shaft Assy.		AE01203	1
74	Stop Spring Screw		AE01074	1	204	Diaphragm Assy.		AE01204	1
75	Washer		AE01075	2	205	Valve Assy.		AE01205	1
76	Magazine Stop		AE01076	1	206	Piston Assy.			1
77	Stop Bush		AE01077	1			AE02	AE02206	
78	Stop Screw		AE01078	1					
79	Cover Contrast		AE01079	1					
80	Check Pin		AE01080	1					
81	Magazine			1	207	Valve Liner Assy.		AE01207	1
		AE02	AE02081						
					208	Cylinder Top Valve Assy.		AE01208	1